



# Marine Alternative Equipment Manufacturer

## WELCOME TO THE MAEM WORLD



# SPARE PARTS AND SERVICES CATALOGUE



The power of independence



## MAEM MISSION STATEMENT

MAEM's mission is to offer the best alternative spare parts for various types of marine equipment.

We offer you The Smart Value: high quality spare parts at reasonable prices, manufactured by MAEM. The company with many years of experience, professional staff, modern production facility, own Research Centre and laboratory. From just a small office, we have developed into the efficient manufacturing and logistics centre employing around 70 people.

The choice is yours... Think Smart... Think MAEM...



No compromise

## PRECISION

When micrometers make a big difference...

CMM coordinate measuring machines at MAEM Research Centre guarantee that even the most complicated detail will be perfectly copied in 1:1 ratio. Spectrometers used by MAEM to determine material composition ensure the application of material mix that is always identical to the model. Using the best measuring instruments and CAD/CAM software, we develop our own technological documentation for each object. Thanks to the cooperation with renowned technical universities in Krakow, we can solve complex technical issues with the use of the latest, often prototypical methods and technologies.



## The art of reverse engineering

### **MANUFACTURING AND QUALITY**

Even the most accurate technological documentation is merely a part of success, if the production machines used cannot achieve the required accuracy class. MAEM's modern machinery and highly skilled staff ensure that the alternative parts manufactured at our facility comply with all the quality requirements. The Quality Control Department has all the best measuring and control instruments available on the market. All production, quality and logistics processes are managed by the top efficient ERP systems. Each, even the smallest operation within the production chain is controlled, processed and supervised. MAEM concept of manufacturing is described as "CLEAN Production" – conversion of LEAN Manufacturing Processes and simply Cleaning Production Areas.

Just to make perfect products in the end...



## PRODUCTION FACILITY AND WAREHOUSE

MAEM's new factory, together with the warehouse, are located near Krakow and they form a perfectly organised facility that has been designed and built taking into consideration the current standards and requirements. Every room has been carefully planned and arranged, to comply with the type of work and processes carried out in it. On more than 4,000 sqm of production, warehouse, research and testing as well as office space, we manage the complete manufacturing process. Starting from the reverse engineering, through our own production, quality control, warehousing, and ending with the efficient dispatch of products by courier directly to the vessel.

MAEM. Smartly organised... Smartly manufactured... Perfectly fitted...



## **SPARE PARTS FOR SEPARATORS**

MAEM produces alternative spare parts for Alfa Laval and Westfalia Separators.



## **SPARE PARTS FOR LOW PRESSURE PUMPS**

MAEM produces a complete range of alternative spare parts for mechanical and magnetic IMO Low Pressure Pumps (ACD, ACE, ACP, ACG, LPD, LPE, ACF).



## **SPARE PARTS FOR FRESH WATER GENERATORS**

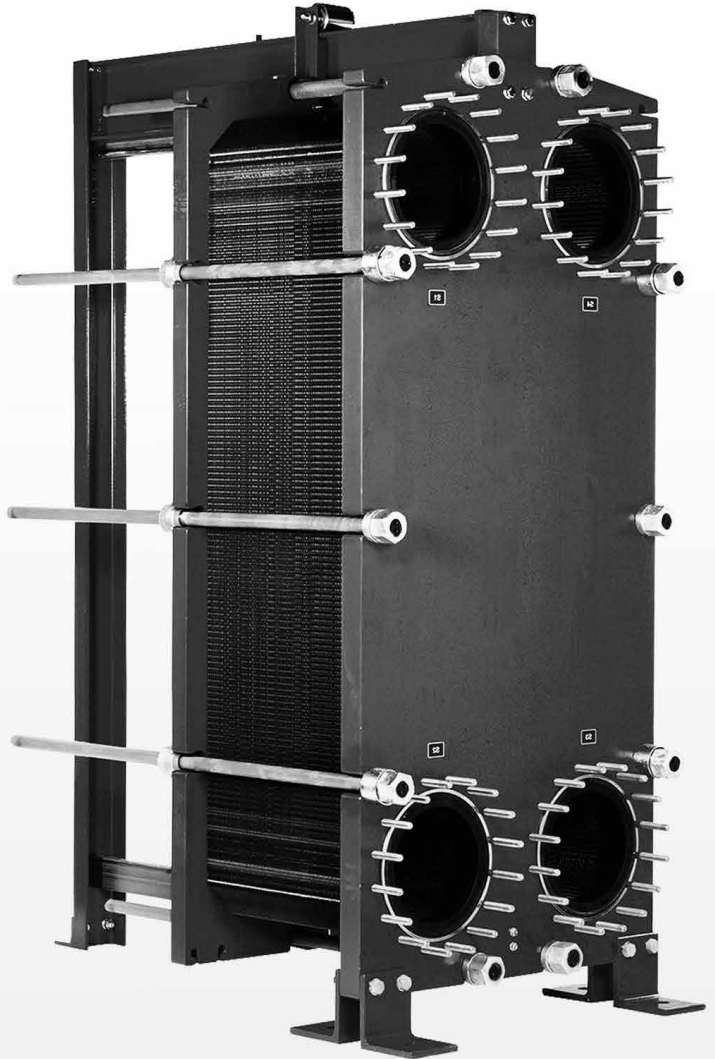
MAEM produces a complete range of alternative spare parts for Nirex Fresh Water Generators JWP 16/26/36, including Salinometers.





## SPARE PARTS FOR FILTERS

MAEM produces a complete range of alternative spare parts for Moatti Back Flushing Filters FM 150/152/180/280 & T160.



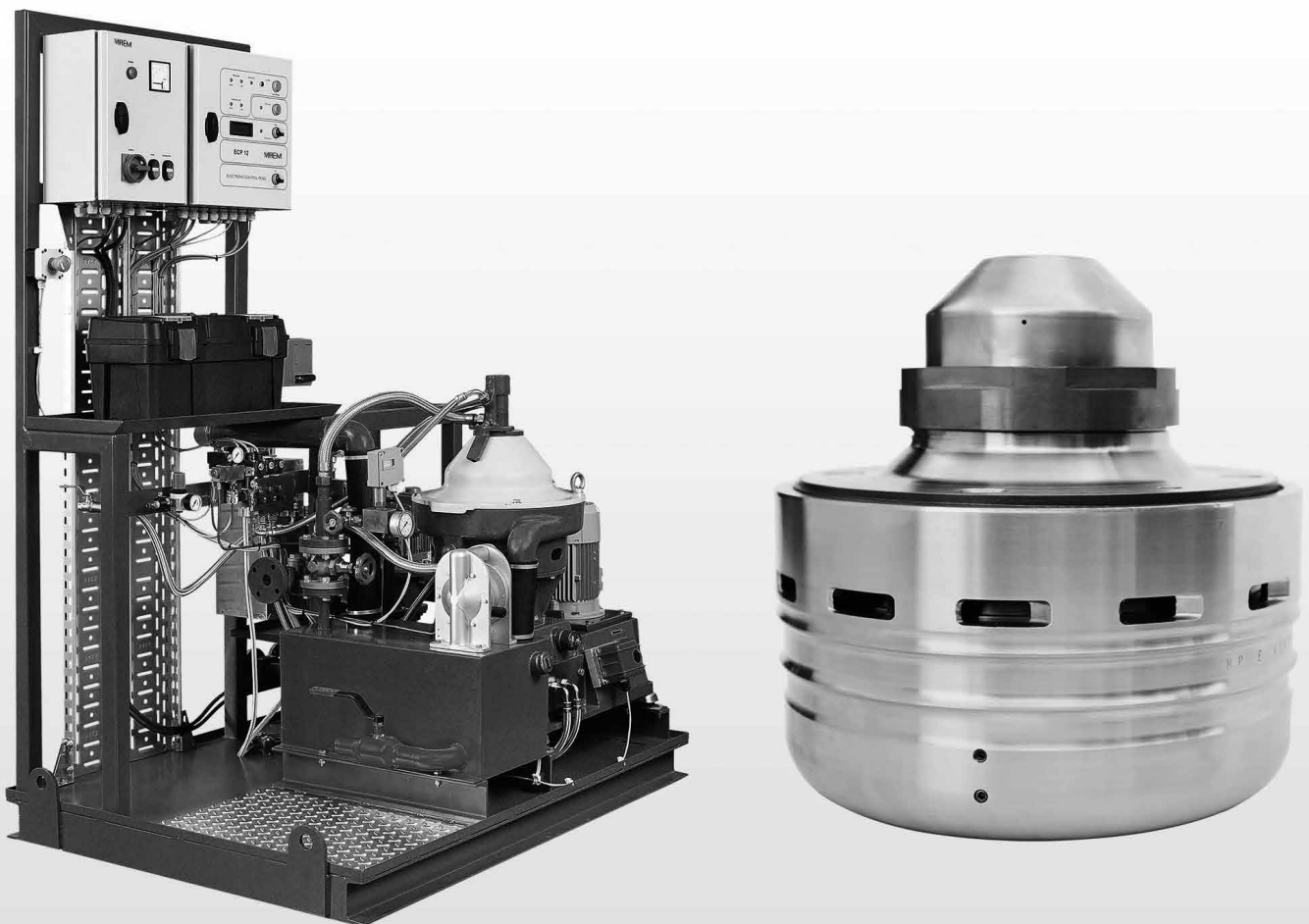
## SPARE PARTS FOR HEAT EXCHANGERS

MAEM produces alternative spare parts for all major brands of plate heat exchanger, including Plates (titanium/stainless steel) and Gaskets. Additionally, complete brand new heat exchangers both plate and brazed are available upon request.



## **SPARE PARTS FOR JOWA BILGE WATER SEPARATORS AND WATER STERILIZERS**

MAEM produces alternative spare parts for Jowa Bilge Water Separators and Aquafine Water Sterilizers.



## COMPLETE PURIFIERS MODULES AND SEPARATOR BOWLS

### **Complete Separation Module**

Having experienced staff and proper technical facilities, MAEM offers also complete separators with the whole instrumentation and control system, pump and motor (the plug and play system). Easy to use and maintain. At the customer request, may be additionally mounted on the same frame.

### **Complete Purifier Bowls**

Key bowl parts that have been damaged (bowl body, bowl hood, etc.) are usually very expensive. In such a case, MAEM offers complete reconditioned bowls (statically and dynamically balanced, tested, ready to use). An easy, simple and economic solution...



## ELECTRONIC UNITS

MAEM offers reconditioned control cards for all models of purifiers. The delivered control cards are individually programme to comply with the specific separator working parameters. MAEM has also developed its own new control systems for most of the separator models.

Always at your disposal



## TECHNICAL SUPPORT AND SERVICE ONBOARD

MAEM provides 24/7 professional technical support to its customers, including onboard service.

The alternative parts are supplied by MAEM with detailed installation manuals and guidelines on how to avoid typical potential errors during equipment repair and maintenance.

**MAEM.** Unique combination of excellent quality and reasonable price.  
**JUST SMART VALUE.**



## **THE SMART VALUE**

At MAEM, we do our best to propose our customers the most competitive offer on the market. It is widely believed that something competitively priced is of questionable quality. At MAEM, we follow one general rule: no compromise in quality. And we never save on quality.

So, how can we offer our alternative parts at such competitive prices?  
This is a result of the company complete independence, our innovative business approach and the implementation of the latest management methods. In effect, we can follow our own, autonomous pricing policy.

Using MAEM alternative parts, you will definitely get The Smart Value.

# MAEM. THE SMART VALUE.



## You are welcome to visit us!

Contact details:

+48 12 415 08 16

+48 12 614 52 68

[www.maem.com](http://www.maem.com)

[info@maem.com](mailto:info@maem.com)

**MAEM Sp. z o.o.**  
**22A, Bociana Str.**  
**31- 231 Kraków, Poland**

MAEM has no associations and/or claims to be associated with The Alfa Laval, Westfalia, Nirex, Colfax IMO, Moatti, Jowa, Aquafine or the Group of their Companies worldwide. Any implied associations are purely coincidental and are not inferred. MAEM is a supplier of fully interchangeable non-genuine spare parts (alternatives) for the following brands: Alfa Laval, Westfalia, Nirex, Colfax IMO, Moatti, Jowa, Aquafine and their products, i.e. separators, pumps, filters, water generators, heat exchangers, sterilizers, etc. All spare parts are manufactured based on our own technological documentation developed with the use of reverse engineering.